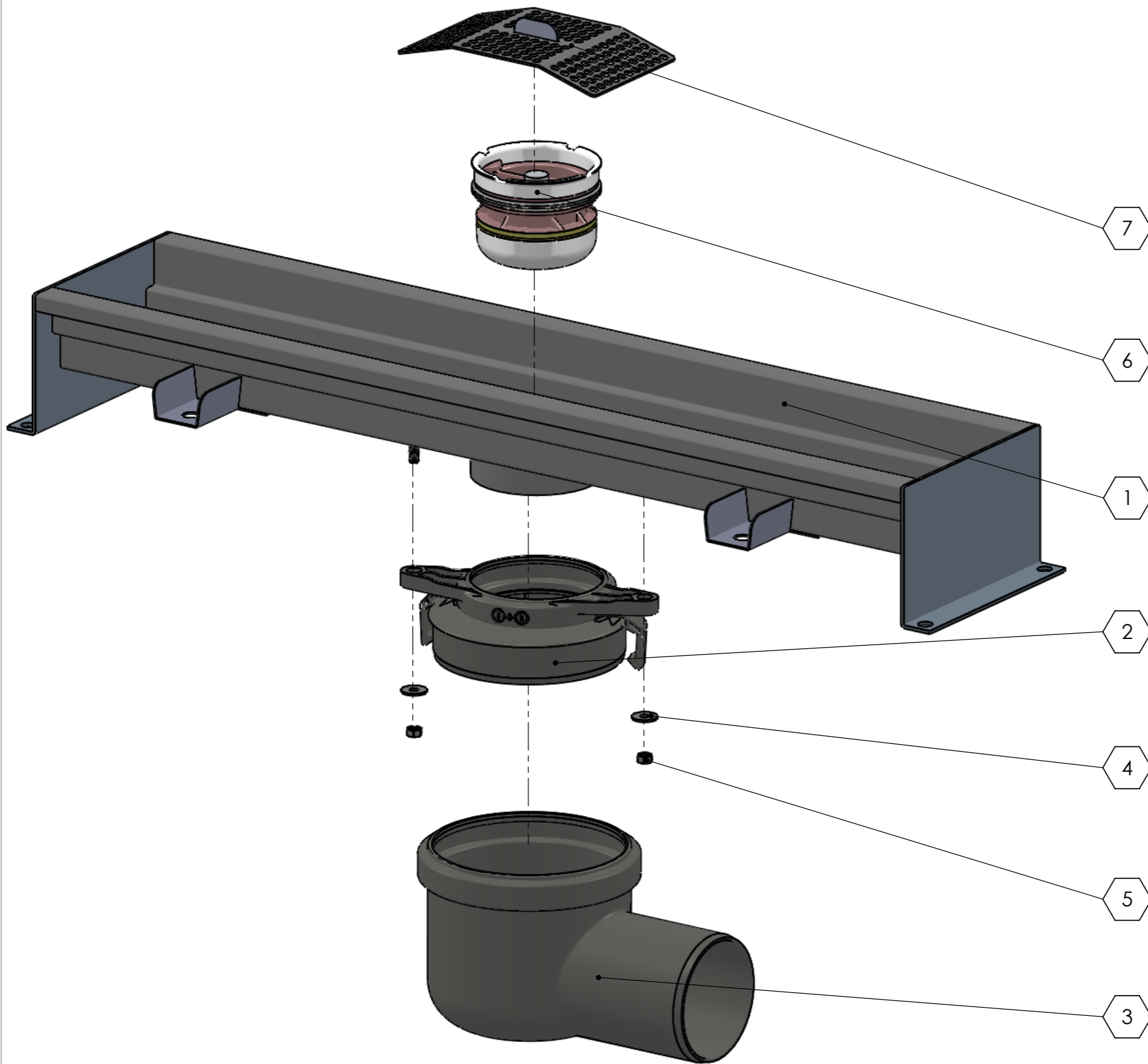
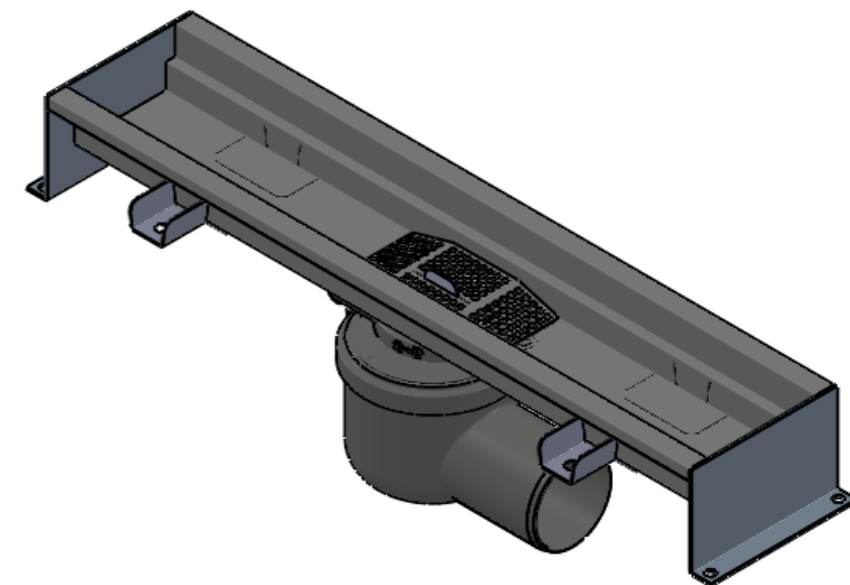


This document must not be copied without our written permission, and the contents thereof must not be imported to a third party nor be used for any unauthorized purpose. Contravention will be prosecuted. Purus AB



ITEM NO.	DESCRIPTION	QTY.
1	Channel	1
2	Plastic adapter	1
3	Gully	1
4	Washer M5	2
5	Nut M5	2
6	Water trap	1
7	Strainer	1

Complete assembled PR100 without grate.



Denna handling får ej utan vårt medgivande kopieras. Den får ej heller delgivas annan eller ejest obehörigen användas. Överträdelse härav beivras med stöd av gällande lag. Purus AB

Project no	Annotation	Surface treatment	Constructor	Creation Date
			PP	
 Purus Stainless AB Ljungatan 29 SE-333 21 Smålandsstenar, SWEDEN Phone: +46 10 44 74 900 www.purus.se	Scale	Page	General tolerance: ISO 2768-1	Weight (KG)
	1:2.5	1(1)	Medium	
Material	EN 1.4301-2B		RSK no	Designer
Name	Mounting description PR100 Plastic			PP
	Article no	PR100 Plastic	Date	2017-05-22
			Volume (m³)	Edition
				A