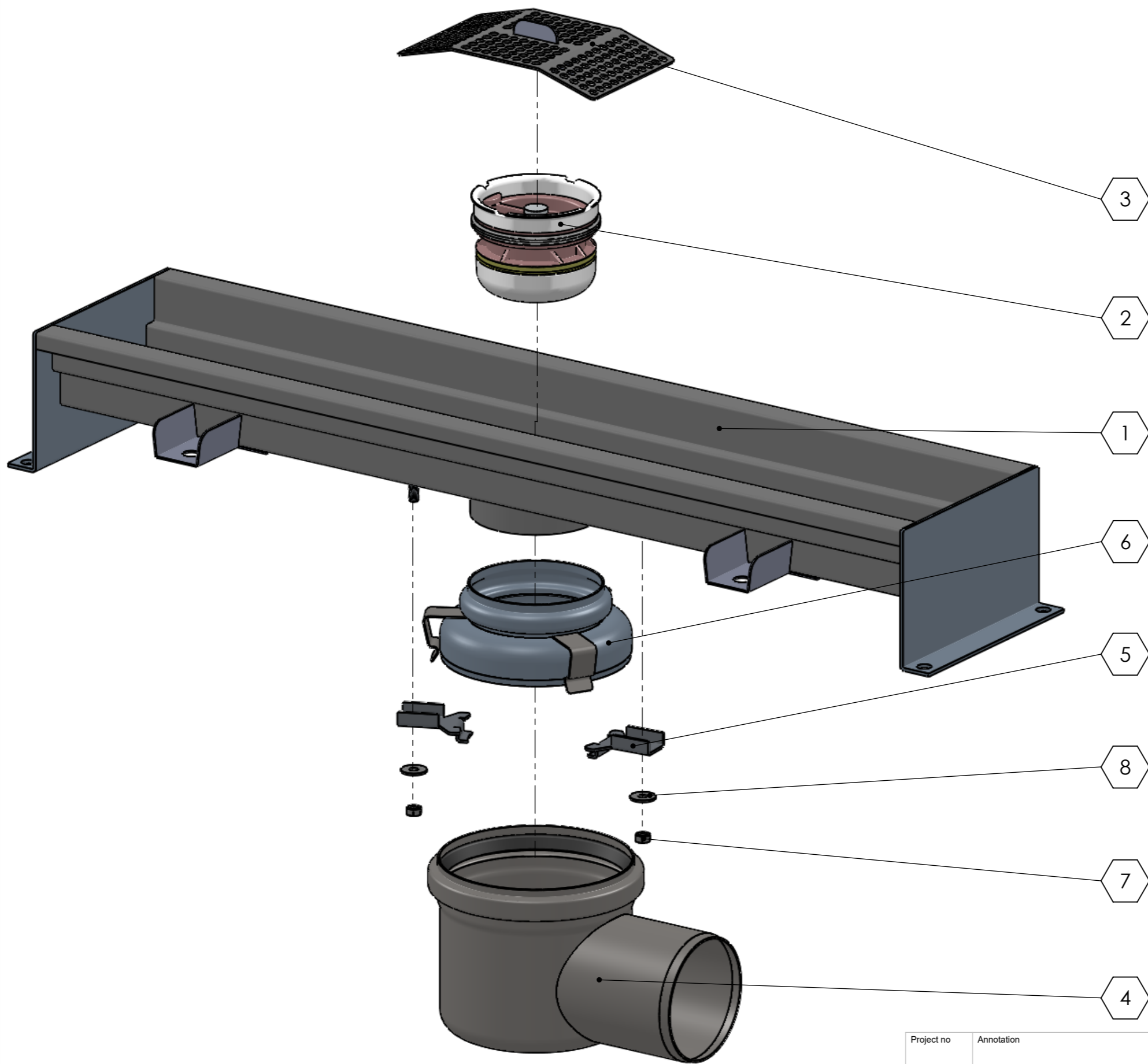
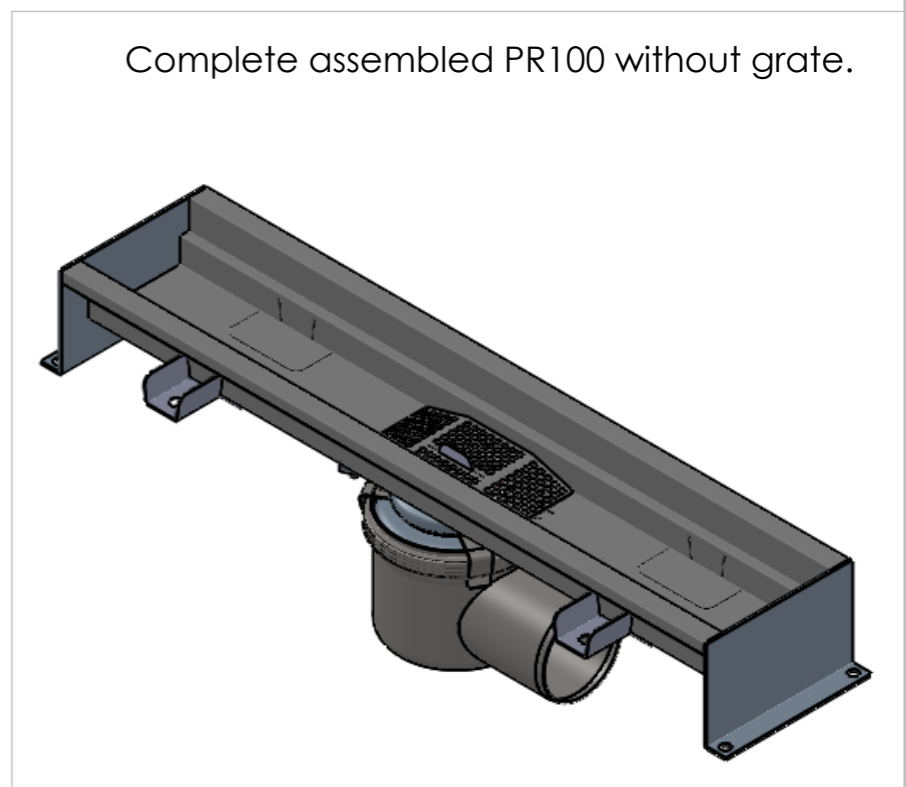


This document must not be copied without our written permission, and the contents thereof must not be imported to a third party nor be used for any unauthorized purpose. Contravention will be prosecuted. Purus AB



| ITEM NO. | DESCRIPTION | QTY. |
|----------|----------------------|------|
| 1 | Channel | 1 |
| 2 | Water trap | 1 |
| 3 | Strainer | 1 |
| 4 | Gully | 1 |
| 5 | Steel adapter holder | 2 |
| 6 | Steel adapter | 1 |
| 7 | Nut M5 | 2 |
| 8 | Washer M5 | 2 |



Denna handling får ej utan vårt medgivande kopieras. Den får ej heller delgivas annan eller ejlest obehörigen användas. Överträdelse härav beivras med stöd av gällande lag. Purus AB

| | | | | |
|---|------------|---|-------------------------------|--------------------|
| Project no | Annotation | Surface treatment | Constructor PP | Creation Date |
| | | Scale 1:2.5 | Page 1(1) | Date 2017-05-22 |
| Purus Stainless AB Ljungatan 29 SE-333 21 Smålandsstenar, SWEDEN Phone. +46 10 44 74 900 www.purus.se | | General tolerance. ISO 2768-1 Medium | Weight (KG) | Volume (m³) |
| Material EN 1.4301-2B | | RSK no | | Designer PP |
| Name Mounting description PR100 Stainless | | | Article no PR100 Stainless | Edition A |