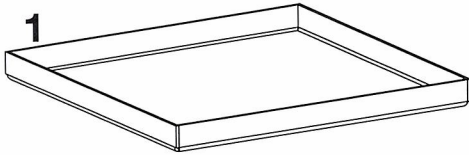


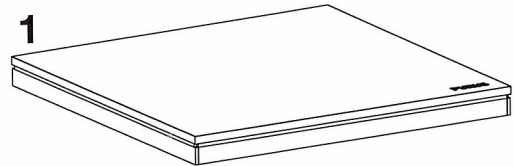
INSTALLATION INSTRUCTION

Purus Tile Frame

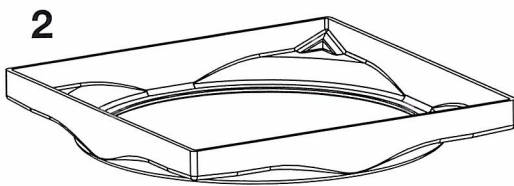
Purus Tile Frame 130x130 is designed for use in Purus floor gullies with a grate diameter of 130 mm, e.g. the Purus Minimax. The design is based on the frame being supported by the profile of the gully with clamping ring. There is a patent pending on the design of the product.



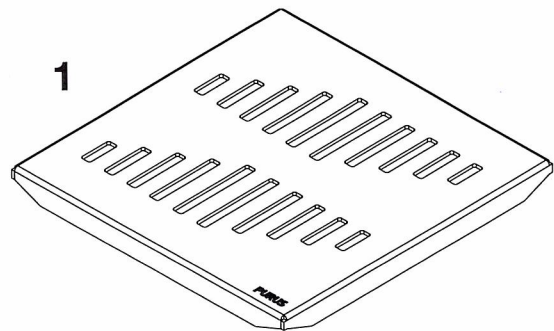
1
Tile insert



1
Platinum

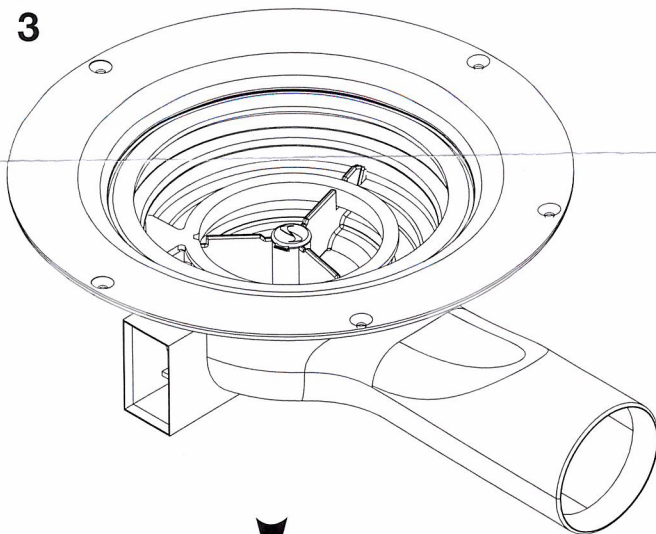


2



1

Twist



3

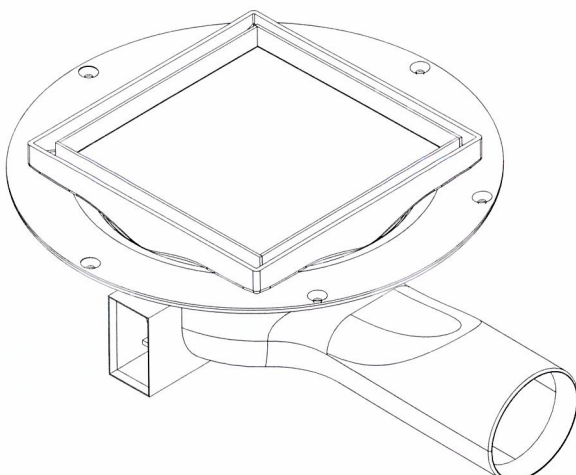
- 1 Tile Insert or Platinum or Twist
- 2 Plastic Tile frame
- 3 Floor gully is not included in the box



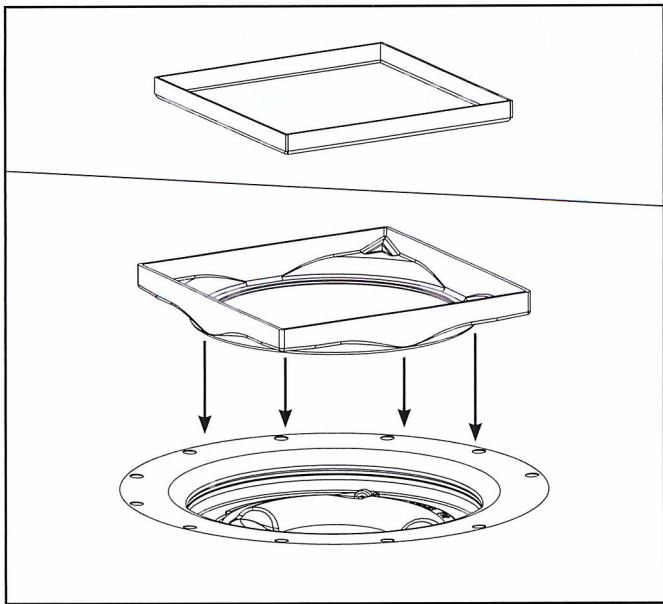
Ensure that the waterproof membrane is applied according to the waterproofing manufacturer's instructions and that the clamping ring is correctly installed before installation begins.



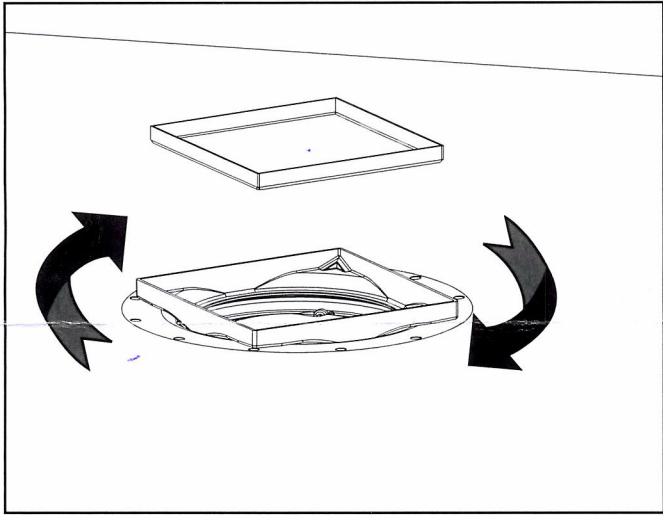
Our ongoing product development may cause changes in the specifications. We reserve these rights.



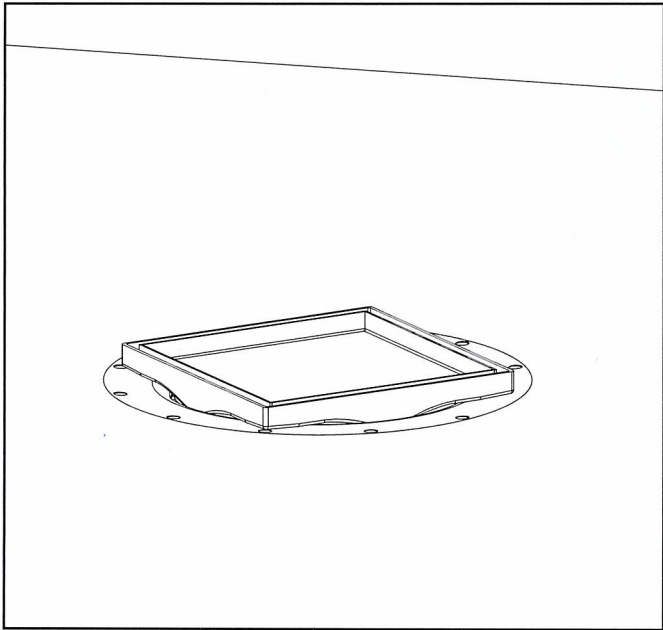
PURUS



The plastic Tile Frame must be centred in the floor gully. Apply tile adhesive under the plastic Tile Frame and fix the Tile Frame in the gully so that the opening of the frame covers the clamping ring. Make sure that the trap is removable.



The frame can be rotated to the desired location of the tiles.



Place the Tile inserts or Platinum or Twist grate in its place in the frame.